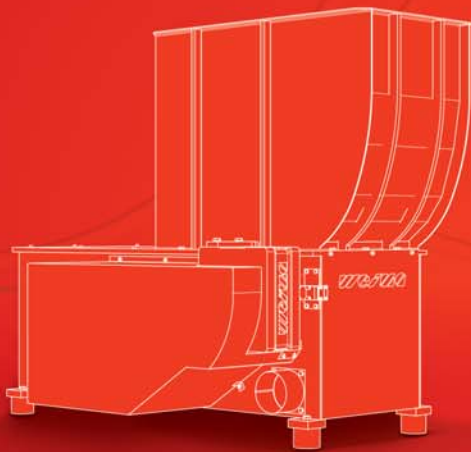




shredding + briquetting



SHREDDERS

WITH SINGLE-SHAFT TECHNOLOGY

SERIES WL 4 | WL 6 | WL 8

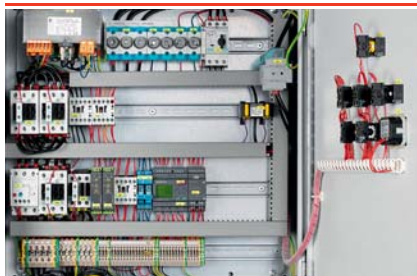


www.weima.com

PROVEN TECHNOLOGY FOR ALL WOOD MATERIALS.



WL 4 | WL 6 | WL 8 - THE CLASSIC MODEL
FOR SHREDDING ALL KINDS OF WOOD WASTE.



CONTROL PANEL

→ SPS control for efficient size reduction



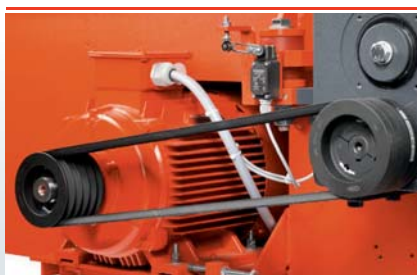
LOADING OF MATERIAL

→ Load-related control // With press-down device on ram for long pieces



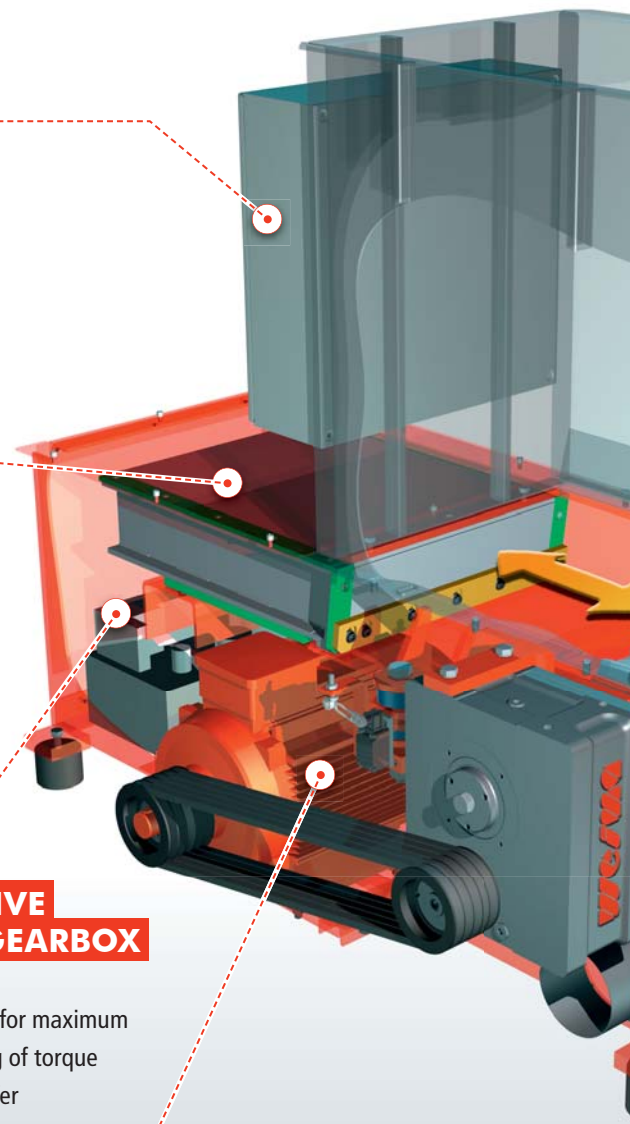
HYDRAULICS

→ Enclosed hydraulic system



POWERFUL DRIVE WITH WEIMA GEARBOX

→ In-house development for maximum durability // Monitoring of torque included // Rubber buffer





HOPPER LOGSPACER DESIGN

→ For bulky pieces



ROTOR

→ Double row of knives // Optimum feeding // Minimum wear of knives // Low power input at high output of shredded material



ROTOR BEARING

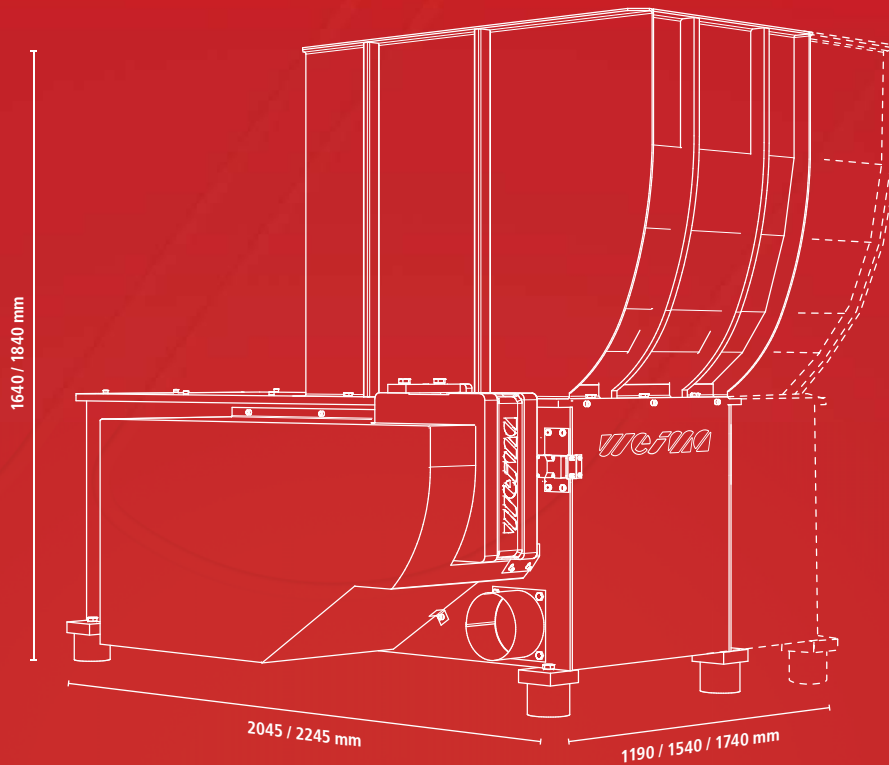
→ Offset construction // Solid design // Completely enclosed to protect from dust



MATERIAL DISCHARGE

→ Different screen sizes available // Extraction system by air, auger or conveyor





TECHNICAL SPECIFICATIONS		WL 4	WL 6	WL 8
Feed Opening	[mm]	600 × 800 / 1.050	800 × 1.000 / 1.250	1.000 × 1.000 / 1.250
Rotor diameter	[mm]	252	252	252
Rotor width	[mm]	600	800	1.000
Rotor speed	[rpm]	60–100	60–100	60–100
Drive capacity	[kW]	11 / 15 / 18,5	15 / 18,5 / 22*	22*
Tools	[knives items]	14 / 28	21 / 42	27 / 54
Screen mesh aperture	[mm]	10–40	10–40	10–40
Extractor nozzle-Ø	[mm]	160	200	200
Air speed	[m/sec]	28	28	28
Weight	[approx. kg]	1.300	2.000	2.400

* from 22 kW, available with hydrodynamic starter clutch. SPS control for fully automatic controlled operation, output dependent on material and screen. Special designs available on request. Demonstrations and trials at our technical lab, using your material, can be arranged by appointment.

