

WEIMA shredders for plastics and recycling

Serie WNZ Second-stage shredder for two-stage processing



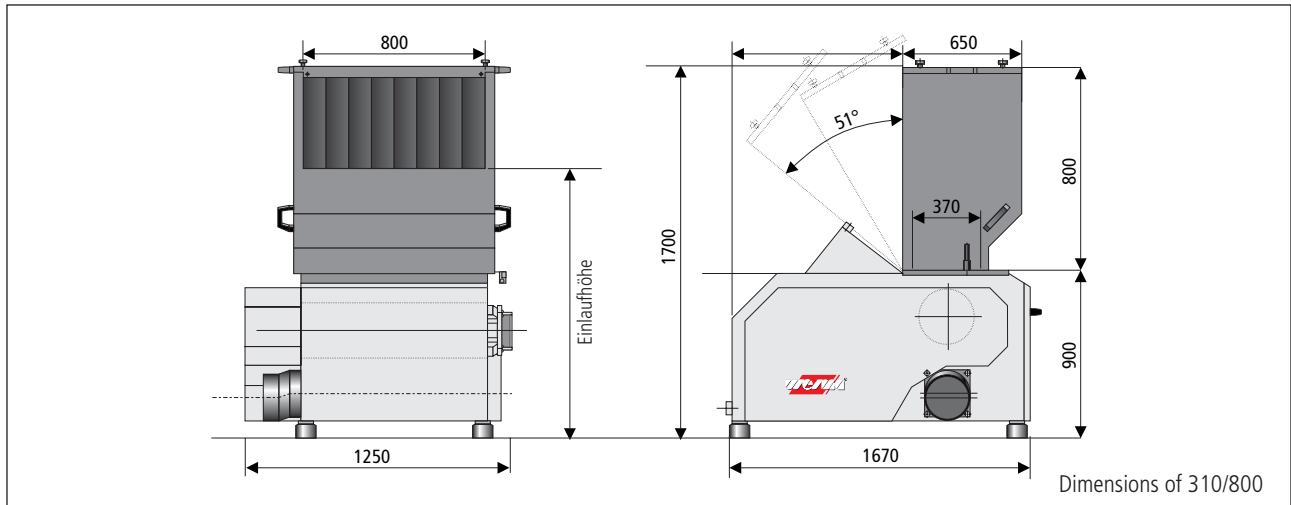
WNZ 200/400 · WNZ 200/600
WNZ 200/800 · WNZ 310/600
WNZ 310/800 · WNZ 310/1000
WNZ 310/1200 · WNZ 310/1500

Performance profile

The WNZ second-stage shredders work on a granulating principle and are intended for use in two-stage processing with a pre-shredder, e.g. one of the WLK Series. With a throughput performance capacity of 100 to 2,500 kg/h, they granulate the pre-shredded material to grain sizes of 4 to 10 mm. Almost any type of plastic can be processed; from pipes, and automotive parts to blow-moulded materials such as PET bottles, PE/PP bottles, canisters and buckets to foils and other flexible materials. The two-stage system has proved itself to be particularly effective, quiet, energy-efficient and low-wear.

The various sizes and different versions make it possible to adapt the WNZ second-stage processor exactly to your individual requirements.

The WNZ Series – an overview



SPECIFICATIONS

	WNZ 200/400	WNZ 200/600	WNZ 200/800	WNZ 310/600
Cutting chamber infeed (mm)	400 x 240	600 x 240	800 x 240	600 x 350
Rotor length (mm)	400	600	800	600
Rotor diameter (mm)	200	200	200	310
Rotor knives (number)	4	4	4	5
Stator knives (number)	2	2	2	2
Performance (kW)	11/15	15/18,5/22	18,5/22/30	18,5/22/30
Screen perforation (mm)	3-12	3-12	3-12	3-12
Extractor connection diameter (mm)	200	200	200	250
Weight (kg) approx. *	500	610	780	980

	WNZ 310/800	WNZ 310/1000	WNZ 310/1200	WNZ 310/1500
Cutting chamber infeed (mm)	800 x 350	1.000 x 350	1.200 x 350	1.500 x 350
Rotor length (mm)	800	1.000	1.200	1.500
Rotor diameter (mm)	310	310	310	310
Rotor knives (number)	5	5	5	5
Stator knives (number)	2	2	2 (2-teilig)	2 (2-teilig)
Performance (kW)	30/37/45	30/37/45	37/45/55/75	45/55/75
Screen perforation (mm)	3-12	3-12	3-12	3-12
Extractor connection diameter (mm)	250	250	250	250
Weight (kg) approx. *	1.200	1.700	1.950	2.450

*This may vary according to equipment and drive performance of the machine.

EQUIPMENT

Standard equipment

- X-cut technology for high cutting performance and vibration-free running with low power use
- quick and easy system for cleaning the machine
- lift up hopper with safety switch, slat curtain and spray protection
- quick screen change
- stored program control (PLC)
- low maintenance outboard and offset rotor bearings
- anti vibration feet on the machine

Options

- special hoppers for individual requirements
- feed conveyor belt
- BigBag or Octabin suction system
- soundproof hopper
- soundproof cabinet
- adjustment jig for easy knife adjustment outside the machine